

UL Series

PUSH AROUND MAST LIFTS



- Robust push-around mast lifts
- Patented Girder Lock mast design for stable working up to 14.1m
- Compact dimensions
- Passes through a standard doorway
- Easy loader system for flatbed vehicle transport

 **snorkel**
www.snorkellifts.com

PUSH AROUND MAST LIFTS

UL Series

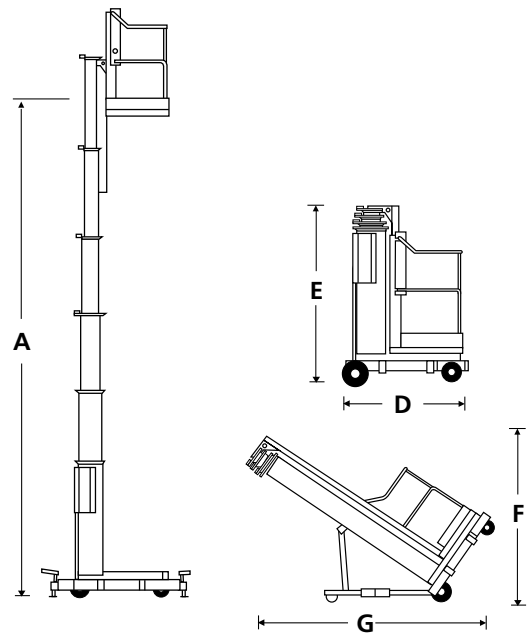
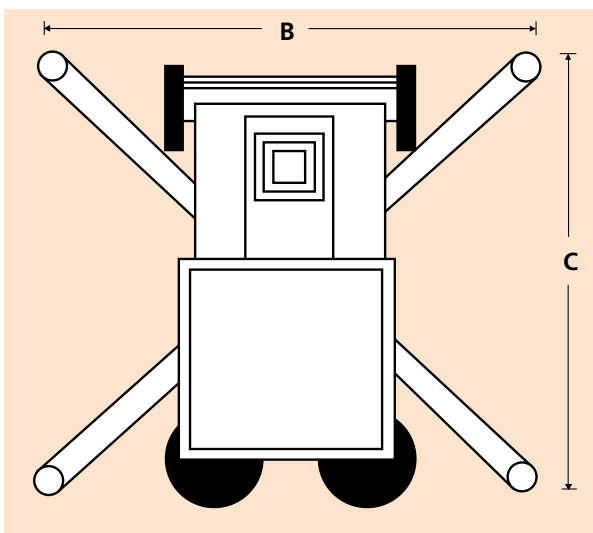
DIMENSIONS	UL25	UL32	UL40
Max. working height	9.6m	11.7m	14.1m
Max. platform height (A)	7.6m	9.7m	12.1m
Platform length	0.56m	0.56m	0.56m
Platform width	0.66m	0.66m	0.66m
Stabiliser footprint (B x C)	2.06m x 1.99m	2.06m x 1.99m	2.95m x 2.85m
Overall width	0.74m	0.74m	0.74m
Overall length (D)	1.26m	1.32m	1.32m
Stowed height (E)	1.99m	2.51m	2.90m
Tilt back height (F)	1.95m	1.95m	2.0m
Tilt back length (G)	2.6m	2.64m	2.99m

PERFORMANCE			
Platform capacity (SWL)	159kg	136kg	136kg
Max operating wind speed	0m/s	0m/s	0m/s
Raise/lower time	43/23 sec	57/26 sec	60/40 sec
Wheels	250mm x 64mm rear, 150mm castors front		
Controls	push button		
Wall access (Distance from front of platform to wall)	356mm	356mm	736mm

POWER	
Power source (AC)	120/220V AC 50HZ
Power source (DC)	1 X 12V 105AH battery

WEIGHT			
Weight (AC)	390kg	435kg	470kg
Weight (DC)	420kg	465kg	500kg

OUTRIGGER FOOTPRINT



STANDARD FEATURES

- Patented Girder Lock telescopic mast system
- Integrated tilt back system
- Ground level entry
- EZ Loader system for transport
- Outrigger interlock indicators
- Integrated battery charger (DC only)
- Non-marking wheels & casters
- 2 year parts & labor, 5 year structural warranty
- ANSI compliant

OPTIONS

- Special paint colors
- Tool tray
- Environmental hydraulic oil
- Laser locator
- CSA compliant

snorkel www.snorkellifts.com

P.O. Box 1160
 St. Joseph, MO 64502-1160, USA
 Tel: 1 (785) 989-3000
 Toll-free: 1 (800) 255-0317
 Fax: 1 (785) 989-3070
 Email: sales.usa@snorkellifts.com