

TM12/TM16E

SELF-PROPELLED TELESCOPIC MAST LIFTS



- Industry-leading self-propelled telescopic mast lifts
- Versatile, robust and simple to use
- Drives through a standard doorway
- Smooth & efficient electric drive
- Ideal for many applications – from construction to stockpicking!

 **snorkel**
www.snorkellifts.com

SELF-PROPELLED TELESCOPIC MAST LIFTS

TM12/TM16E

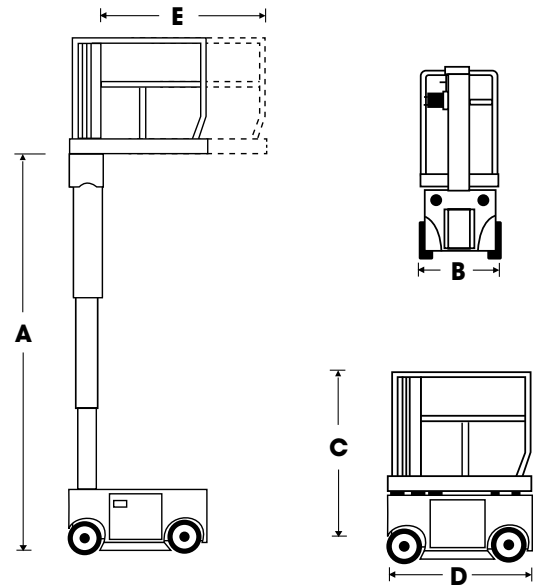
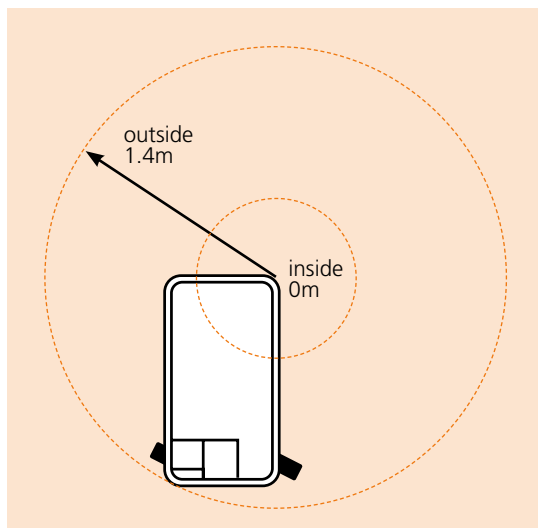
DIMENSIONS	TM12E	TM16E
Max. working height	5.65m	6.87m
Max. platform height (A)	3.65m	4.87m
Platform size (stowed)	0.68m x 0.99m	0.68m x 0.99m
Platform size (extended) (E)	0.68m x 1.5m	0.68m x 1.5m
Extension deck length	0.5m	0.5m
Overall width (B)	0.76m	0.76m
Overall length (D)	1.37m	1.37m
Stowed height (C)	1.67m	1.98m
Ground clearance	76mm	76mm

PERFORMANCE		
Platform capacity (SWL)	227kg	227kg
Max. drive height	3.65m	4.87m
Max. wind speed	12.5m/s	0m/s
Max. drive speed (stowed)	4.0km/h	4.0km/h
Max. drive speed (elevated)	0.6km/h	0.6km/h
Raise/lower time	12.5/10.5 sec	12.5/10.5 sec
Gradeability	25%	25%
Max. operating slope (side to side)	2°	1.5°
Max. operating slope (front to back)	2°	1.5°
Inside turning radius	0m	0m
Outside turning radius	1.4m	1.4m
Tires	323mm non-marking rubber	
Parking brake	2 wheel, spring applied, electric release	
Drive system	dual DC motors	
Controls	proportional	

POWER		
Power source	24V 220Ah batteries	
Battery charger	20 amp	20 amp

WEIGHT		
Weight	840kg	1,105kg

TURNING RADIUS



STANDARD FEATURES

- Proportional controls
- Roll-out extension deck
- Saloon-door style entry gates
- Descent & tilt alarms
- Emergency lowering at chassis controls
- Non-marking rubber tyres
- Crane lift points
- Horn
- 2 persons + equipment capacity indoors
- 1 person + equipment capacity outdoors
- Selectable motion alarm
- Integrated battery charger 110V 20A
- Hour meter & on-board diagnostics display
- 2 year parts & labor, 5 year structural warranty
- ANSI approved

OPTIONS

- Special paint colors
- Environmental hydraulic oil
- Order picker tray (TM12E only)
- Platform overload system
- CSA compliant

snorkel www.snorkellifts.com

P.O. Box 1160
St. Joseph, MO 64502-1160, USA
Tel: 1 (785) 989-3000
Toll-free: 1 (800) 255-0317
Fax: 1 (785) 989-3070
Email: sales.usa@snorkellifts.com