

# SR5719

## ROUGH TERRAIN TELEHANDLER



- Full-time 4 wheel drive
- Fully enclosed cab
- Power assisted steering
- Proportional joystick
- Simple to operate & maintain

 **snorkel**  
[www.snorkellifts.com](http://www.snorkellifts.com)

# ROUGH TERRAIN TELEHANDLER

# SR5719

## CAPABILITIES SR5719

Max. lift capacity	2,600kg
Max. lift height (A)	5.79m
Max. forward reach	3.2m

## DIMENSIONS

Overall width (B)	1.89m
Height (C)	1.93m
Length to fork face (D)*	4.03m
Wheelbase	2.5m
Ground clearance	220mm

## PERFORMANCE

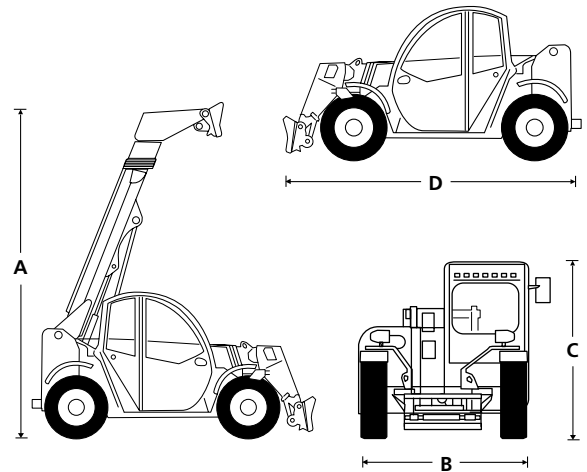
Max. drive speed	27km/h
Raise/lower time	6.9/5 sec
Frame leveling	n/a
Hydraulic flow (per minute)	70L
Hydraulic pressure	230bar
Hydraulic oil capacity	70L
Fuel capacity	80L
Turning radius	3.25m
Tires	12 - 16.5"

## POWER

Power source	Yamahar 70.3hp Tier 4 Final diesel
--------------	------------------------------------

## WEIGHT

Weight	4,700kg
--------	---------



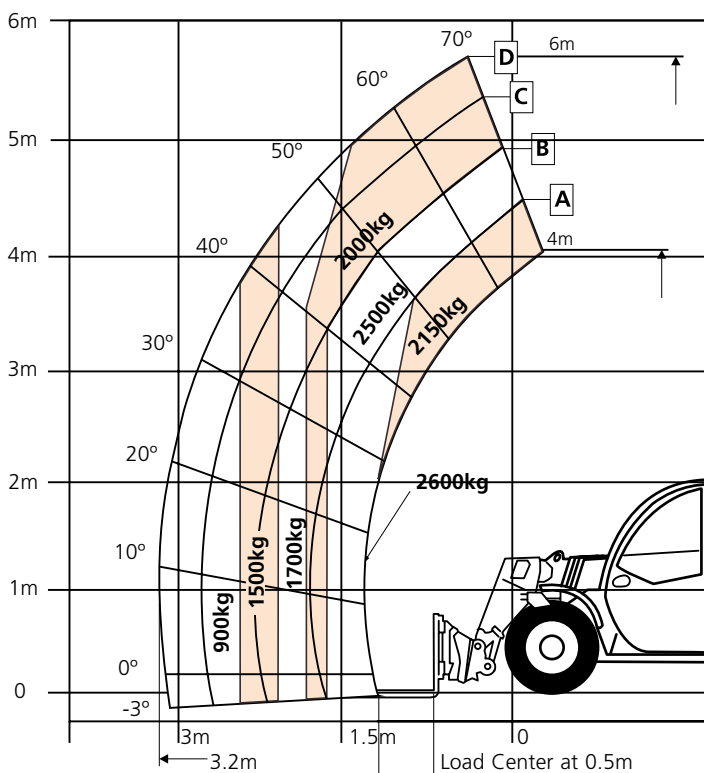
## STANDARD FEATURES

- Full time 4 wheel drive
- 4 wheel steer
- Selectable front, crab & coordinated steering modes
- Auxiliary hydraulic circuit on the boom
- Variable speed hydrostatic drive
- Fender (set of 4)
- Fully enclosed cab with air conditioning
- Proportional joystick
- Adjustable steering column
- Illuminated gauge and switch panels
- Color LCD display with machine & engine diagnostics
- Adjustable suspension seat
- Block heater
- Flashing beacon
- Road lights
- Fixed 1.21m carriage
- 1.21m pallet forks
- Work lights on boom (2)
- 2 year parts & labor, 5 year structural warranty
- ANSI compliant

## OPTIONS

- Front and rear work LED lights
- CSA compliant

## LOAD CHART



**snorkel** [www.snorkellifts.com](http://www.snorkellifts.com)

P.O. Box 1160  
 St. Joseph, MO 64502-1160, USA  
 Tel: 1 (785) 989-3000  
 Toll-free: 1 (800) 255-0317  
 Fax: 1 (785) 989-3070  
 Email: sales.usa@snorkellifts.com