

AB60J

ARTICULATED BOOM LIFT



- Tough & reliable diesel articulated boom lift
- Powerful 4 wheel drive for rough terrain
- Robust, rental tough design
- Simple to operate and maintain
- Ideal for both maintenance and construction applications


www.snorkellifts.com

ARTICULATED BOOM LIFT

AB60J

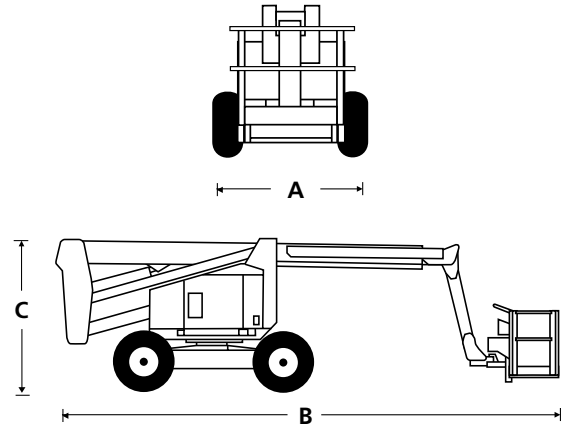
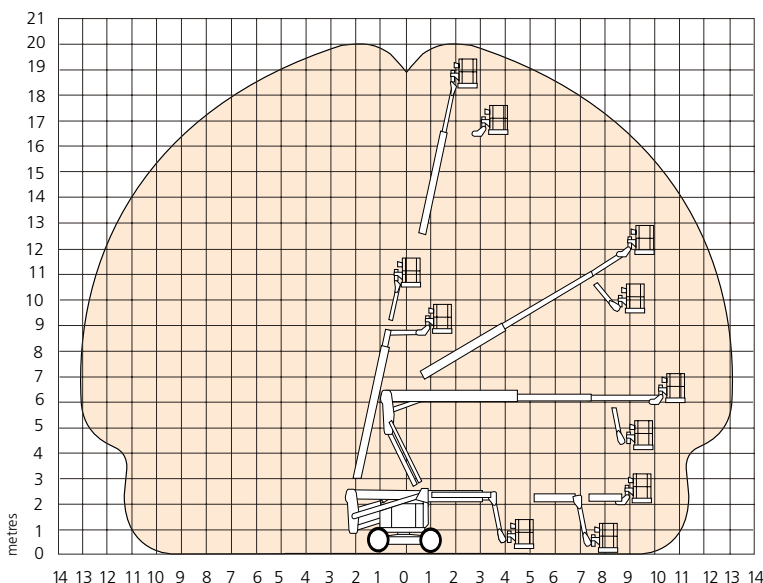
DIMENSIONS	AB60J
Max. working height	20.11m
Max. platform height	18.11m
Max. horizontal reach	13.1m
Clearance height at max. outreach	5.94m
Platform size	0.91m x 2.44m
Overall width (A)	2.4m
Overall length (B)	8.87m
Stowed height (C)	2.51m
Ground clearance	300mm

PERFORMANCE	
Platform capacity (SWL)	227kg
Max. drive height	18.3m
Max. wind speed	12.5m/s
Max. drive speed (stowed)	5.1 km/h
Max. drive speed (elevated)	0.96 km/h
Jib length	1.8m
Jib working arc	75°
Platform rotation	180°
Superstructure rotation (continuous)	360°
Tailswing (riser boom elevated)	0m
Tailswing (riser boom stowed)	1.52m
Raise/lower time	125/121 sec
Gradeability	20%
Inside turning radius	5.24m
Outside turning radius	6.17m
Tires	15in x 19.5in foam filled
Controls	proportional joystick drive, lift & rotation
Drive system	4 wheel drive

POWER	
Power source	Kubota V2403 59hp Diesel - Tier 4 Final

WEIGHT	
Weight	11,249kg

WORKING ENVELOPE



STANDARD FEATURES

- Snorkel Guard™ secondary guarding system
- Hydraulic platform rotation
- 1.8m 75° jib
- 360° continuous turntable rotation
- Rheostat control at ground for boom functions
- Drive motion alarm
- Power line to platform
- Flashing amber light
- Proportional drive, lift and swing
- Dual lanyard attachment points
- 5° tilt alarm
- Horn
- 2 year parts & labor, 5 year structural warranty
- ANSI compliant

OPTIONS

- Special paint colors
- Non-marking tyres
- AC generator 110V/240V 2kW
- Airline to platform
- Aircraft package
- Deluxe aircraft package
- Cold weather package
- Extreme cold weather package
- Extreme environment package
- Light package
- Tow kit
- Glazier package
- Environmental hydraulic oil
- CSA compliant

snorkel www.snorkellifts.com

P.O. Box 1160
 St. Joseph, MO 64502-1160, USA
 Tel: 1 (785) 989-3000
 Toll-free: 1 (800) 255-0317
 Fax: 1 (785) 989-3070
 Email: sales.usa@snorkellifts.com